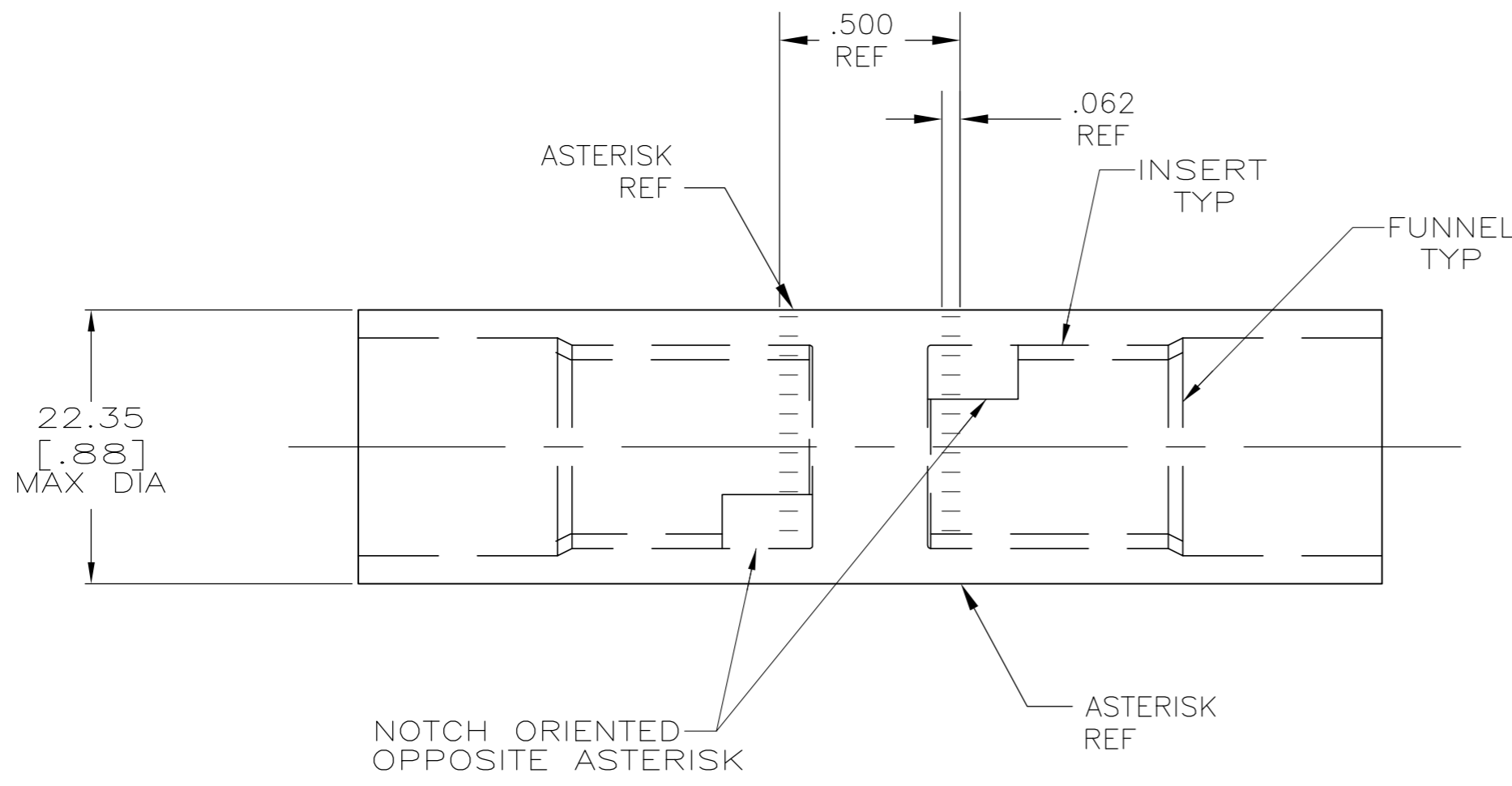
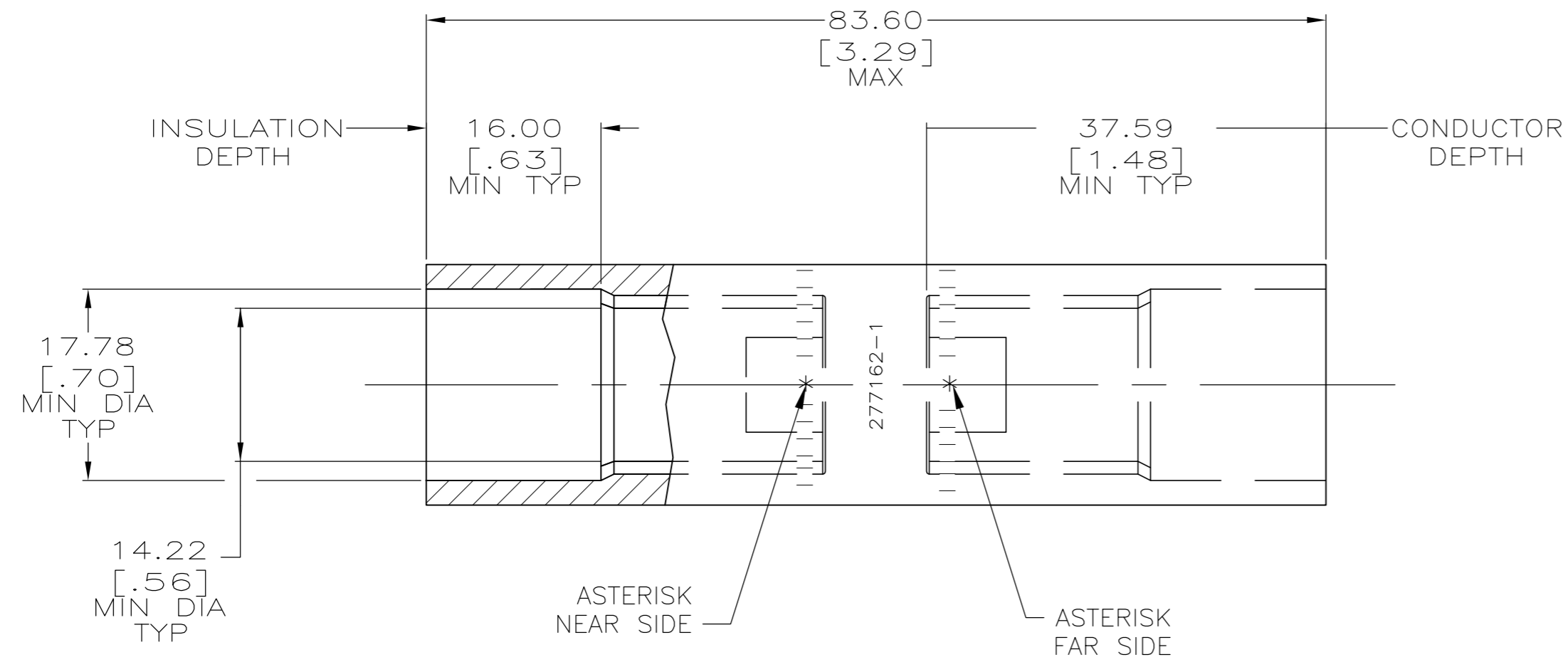


THIS DRAWING IS UNPUBLISHED. RELEASED FOR PUBLICATION
 © COPYRIGHT BY TYCO ELECTRONICS CORPORATION. ALL RIGHTS RESERVED.

LOC	DIST	REVISIONS					
		P	LTR	DESCRIPTION	DATE	DWN	APVD
G	86		M	REV PER ECR 08-004875	26FEB08	JR	MS

1 WIRE INSULATION: 13.21[.520] - 16.38[.645] DIA
 △ STAMP " 277162-1 AMP 3/0AL-2/OCU"
 APPROX AS SHOWN,



SPLICE: COPPER ASTM B-187
 TIN PL PER ASTM B-545 0.00381[.000150] MIN THK
INSERT & FUNNEL: BRASS ASTM B36
 NICKEL PL SAE AMS QQ-N-290A,
 DATED JULY 2000,
 0.00254 [.000100] MIN THK

277162-1

MATERIAL AND FINISH

PART NO

THIS DRAWING IS A CONTROLLED DOCUMENT.		DWN DK SCHRUM 7/6/89	Tyco Electronics Corporation Harrisburg, PA 17105-3608	
DIMENSIONS: MM [INCHES]		CHK MS FEHER 1/15/90	NAME WIRE SPLICE, BUTT, COPALUM	
TOLERANCES UNLESS OTHERWISE SPECIFIED:		APVD MJ SPICER 1/15/90	PRODUCT SPEC 108-11011	
0 PLC ± -		APPLICATION SPEC 114-2134		
1 PLC ± -		SIZE CAGE CODE DRAWING NO		
2 PLC ± 0.20[.008]		WEIGHT 127.5 GRAMS A2 00779 C=277162		
3 PLC ± -		SCALE 2:1 SHEET 1 of 1		
4 PLC ± -		REV M		
ANGLES ± -		CUSTOMER DRAWING		
FINISH SEE TABLE				